

---

# PUSH BUTTON PUCK RANGE



---

# PUSH BUTTON PUCK RANGE



## SUITABLE USES

RETAIL & COMMERCIAL – MERCHANDISING WALL AND FLOOR UNITS, FASHION APPAREL, ACCESSORIES, SHOES, HANGING AND SHELVING, HIGHLIGHT DISPLAYS, FASHION HOOKS AND HANGRAILS.



# PUSH BUTTON PUCK RANGE

## PUSH BUTTON PUCK



MK-PUCKPB001

Push Button Puck, includes locking nut to secure onto panel. Holds  $\varnothing$  19mm tube.

Overall size –  $\varnothing$  33mm x 46mm deep.

Machined Aluminium.

## PUSH BUTTON PUCK – 150MM STRAIGHT ARM



MK-PPSA150C

Push Button Puck Straight Arm.

150mm in length.

Polished Chrome finish.

## PUSH BUTTON PUCK – 300MM STRAIGHT ARM



MK-PPSA300C

Push Button Puck Straight Arm / Shelf Bracket.

300mm in length.

Polished Chrome finish.

# PUSH BUTTON PUCK RANGE

## PUSH BUTTON PUCK – 350MM STRAIGHT ARM



MK-PPSA350C

Push Button Puck Straight Arm /  
Shelf Bracket.

350mm in length.

Polished Chrome finish.

## PUSH BUTTON PUCK – 300MM WATERFALL ARM



MK-PPWA300C

Push Button Puck Waterfall Arm.

300mm in length.

Polished Chrome finish.

## PUSH BUTTON PUCK STEPPED ARM



MK-PPST400C

Push Button Puck Stepped Arm.

400mm in length.

Polished Chrome finish.

---

# PUSH BUTTON PUCK RANGE

## PUSH BUTTON PUCK TICKET HOLDER

---



---

MK-PPTH100C

---

Push Button Ticket Holder to suspend posters / tickets. 100mm in length.

Requires a 6mm diameter hole through panel.

Polished Chrome finish.

---

## PUSH BUTTON PUCK FRONT HANG RAIL

---



---

MK-PPFR900C

---

Push Button Puck Front hang rail. 900mm wide x 35mm deep. Fits into puck at 600mm wide centres.

Polished Chrome finish.

---

## PUSH BUTTON PUCK SIDE HANG RAIL

---



---

MK-PPSR900C

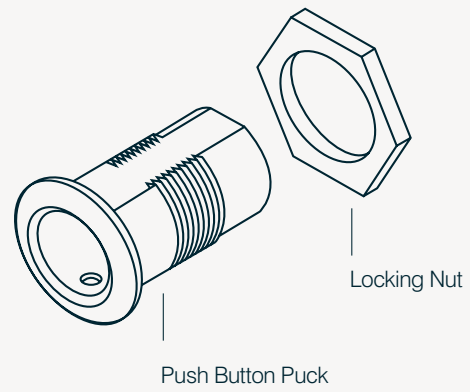
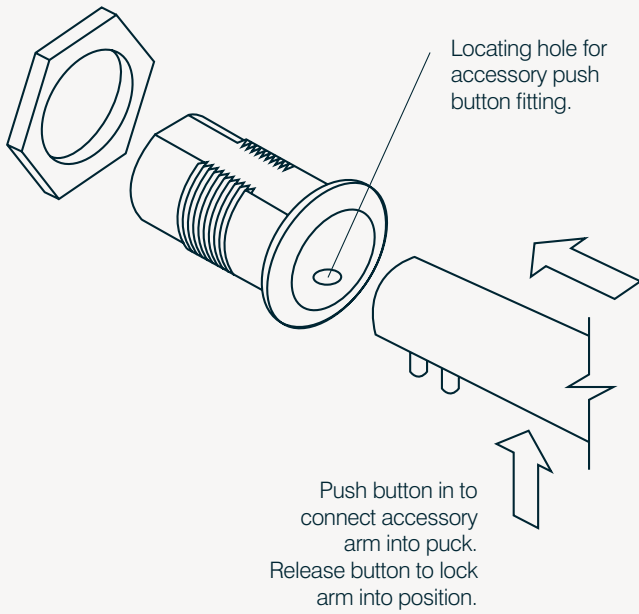
---

Push Button Puck Side Hang Rail. 900mm wide x 300mm deep. Fits into pucks at 600mm wide centres.

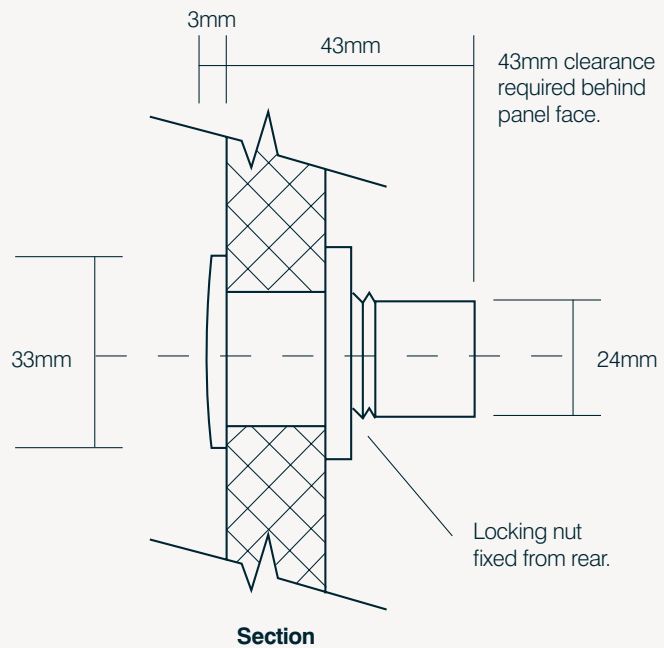
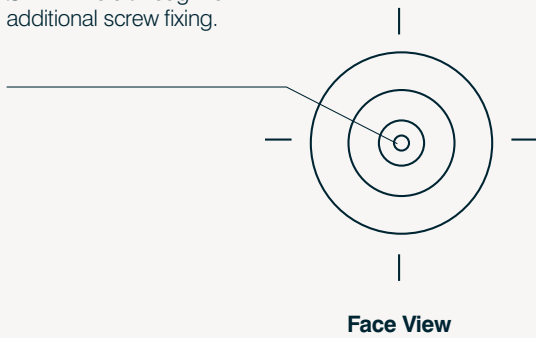
Polished Chrome finish.

---

# PUSH BUTTON PUCK INSTALLATION



Countersunk  
Ø 4mm hole through for  
additional screw fixing.





---

MADERETAIL.COM.AU

**HEAD OFFICE**

17 COMMERCIAL DRIVE  
LYNBROOK VICTORIA AUSTRALIA 3975  
T: +61 3 9799 3000 F: +61 3 9799 3011  
E: INFO@MADERETAIL.COM.AU

**SHOWROOM & SALES**

2 STEPHENSON STREET  
CREMORNE VICTORIA AUSTRALIA 3121  
T: +61 3 9600 4938  
E: INFO@MADERETAIL.COM.AU