
MINI PUCK
RANGE



MINI PUCK RANGE



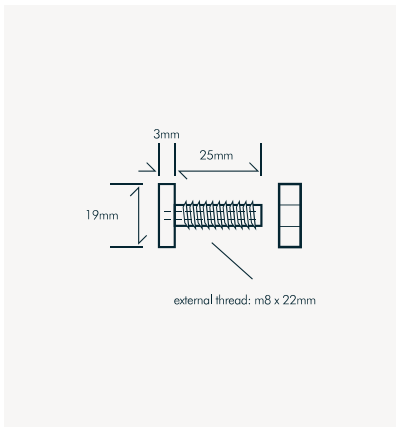
SUITABLE USES

RETAIL & COMMERCIAL - HANG SELL, SHOE DISPLAY, BOTTLE DISPLAY, SHELF DISPLAY WITH PANEL HOLDERS OR GRIPS, FEATURE DISPLAYS, SIGNAGE HOLDERS AND HOOKS.



MINI PUCK RANGE

MINI PUCK



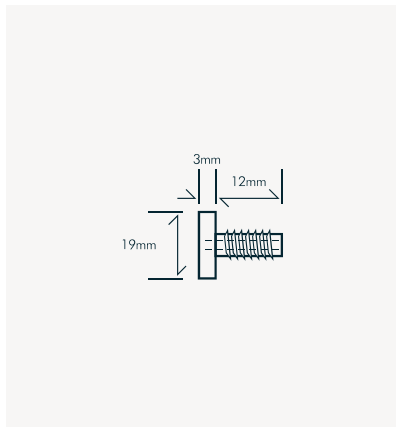
MK-PUCKM001

Mini Puck, includes locking nut to secure onto panel.

Hole size for panel \varnothing 9mm.

Machined Aluminium.

MINI PUCK COVER CAP



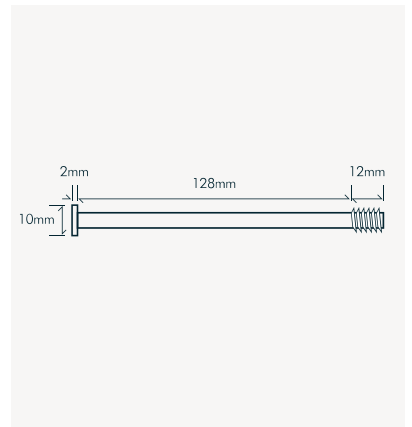
MK-PKM009

Mini Puck Cover Cap, threaded cover cap to conceal Mini Puck. Can be used as a decorative cover, sign or panel holder.

Sign / panel requires \varnothing 6mm holes.

Clear Anodised finish.

MINI PUCK - 130MM PRONG HOOK



MK-PKM003

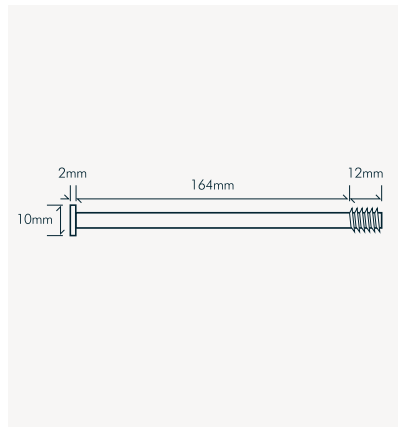
Mini Puck Prong Hook, 130mm long. Recommended max. weight is 4kg per MK-PKM003 prong hook.

\varnothing 5mm Rod.

Stainless Steel finish.

MINI PUCK RANGE

MINI PUCK - 165MM PRONG HOOK



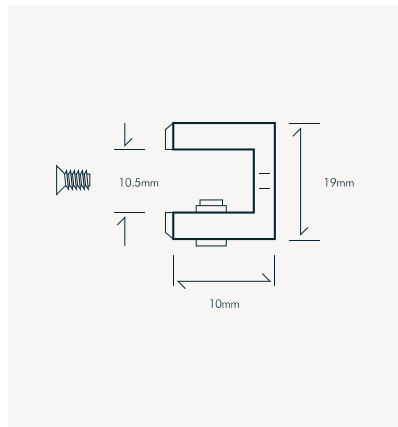
MK-PKM012

Mini Puck Prong Hook, 165mm long
Recommended max weight is 4kg per
MK-PKM012 hook.

Ø 5mm rod.

Stainless Steel finish.

MINI PUCK SHELF / PANEL GRIP

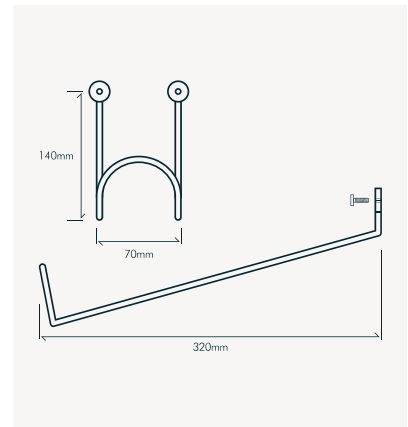


MK-PKM008

Mini Puck Shelf / Panel Grip suits 4.5mm
to 10mm thick panels. Recommended
max. shelf depth is 125mm.

Satin Nickel finish.

MINI PUCK ANGLED BOTTLE CRADLE

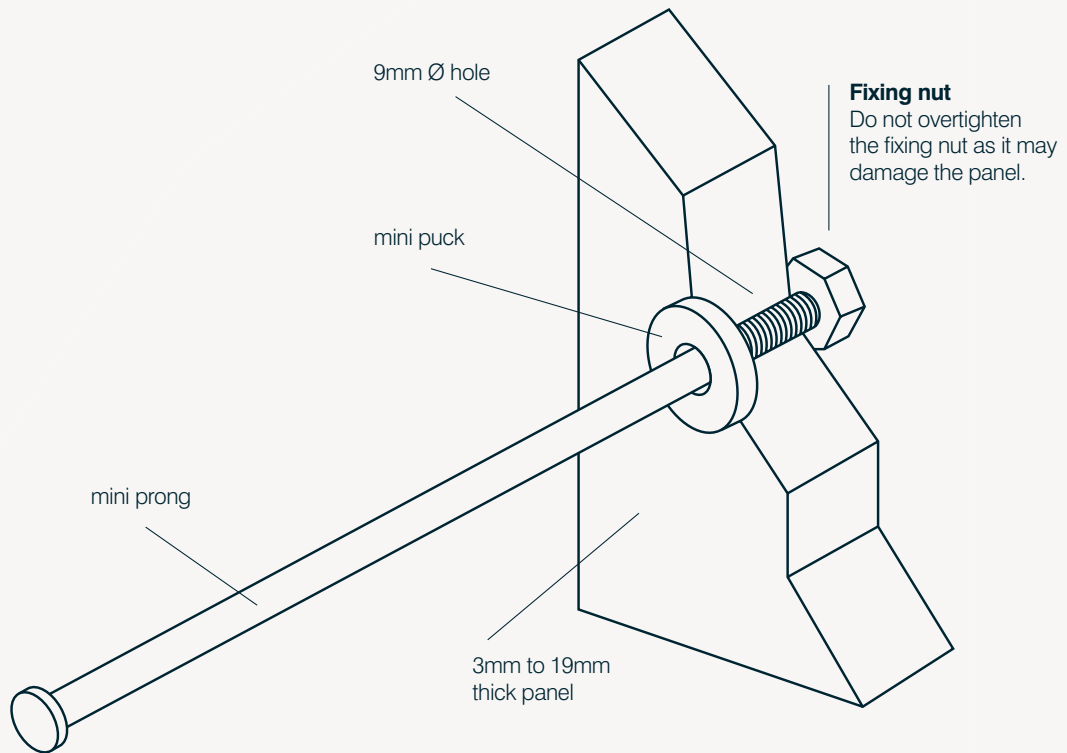


MK-PKM011

Mini Puck Angled Cradle Holder, holds up
to 750ml bottle at 20 degrees. Includes
two MK-PKM009 cover caps to attach the
cradle. Place mini pucks at 70mm centres.

Stainless Steel finish.

MINI PUCK INSTALLATION



MADERETAIL.COM.AU

HEAD OFFICE

17 COMMERCIAL DRIVE
LYNBROOK VICTORIA AUSTRALIA 3975
T: +61 3 9799 3000 F: +61 3 9799 3011
E: INFO@MADERETAIL.COM.AU

SHOWROOM & SALES

2 STEPHENSON STREET
CREMORNE VICTORIA AUSTRALIA 3121
T: +61 3 9600 4938
E: INFO@MADERETAIL.COM.AU